

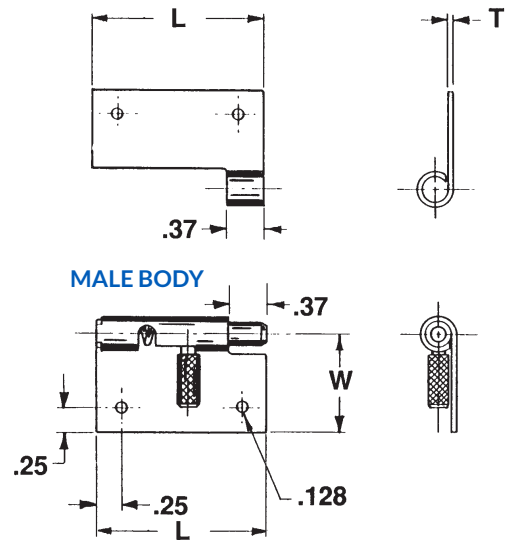
Spring Release Hinge Series 702

Combining a hinge and a latch in a standard piece of hardware.

The 702 series Spring Release Hinge has a single handle which pulls toward the center to release the body or door from the keeper. Installation is simple and inexpensive using screws, rivets or by welding.

All styles are manufactured to close tolerances. End play and side play are held to a minimum, insuring a precision fit and smooth operation.

Right Hand Model Pictured
FEMALE KEEPER



BODY

	Standard	Special
L Length	1.75	-
W Width	1.00	-
T Metal Thickness	.050	-
DASH #	-1	-7

PIN

	Standard	Special
P Pin Diameter	.250	-
DASH #	-1	-7

HOLES

	None	Standard	Special
DASH #	-0	-1	-7

MATERIAL

	Aluminum	Steel	Stainless
DASH #	-1	-2	-3

MODEL

	Right (R)	Left (L)
DASH #	-1	-2

FINISH

Most commercial finishes are available, including zinc on steel, passivate and electropolishing on stainless steel, and anodize on aluminum.

ORDERING INFORMATION

Sample Part #

702 - 1 - 1 - 0 - 2L Zinc

Basic Part No. ——— ↑
 Body (Standard) ——— ↑
 Pin (Standard) ——— ↑

————— ↑ Zinc Plate Finish
 ——— ↑ Steel Material/Right Hand
 ——— ↑ No Holes