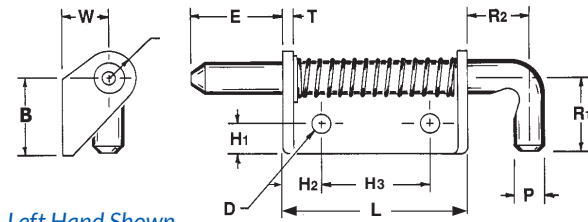
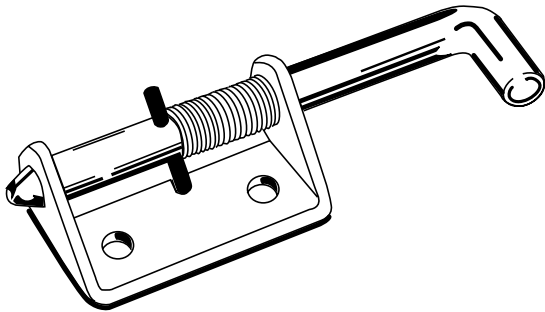


Heavy Duty Spring Latch Series 719-720

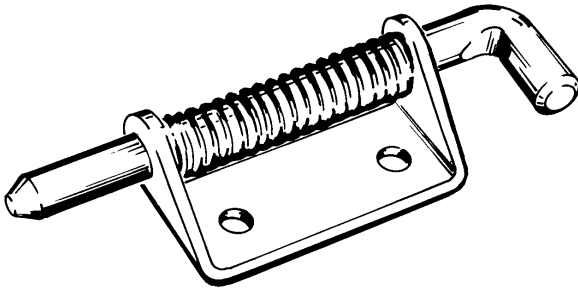


Left Hand Shown

WITH HOLDBACK:



WITHOUT HOLDBACK:



The Paneloc heavy-duty 719-720 Series spring latches are available in 3/8" and 1/2" pin diameters, respectively. These large, rugged latches are available in steel or stainless steel and have a closed knuckle for added durability and strength. They are ideally suited for truck bodies, utility vehicles, horse trailers and more. The offset body design provides more flexibility with placement on tight applications.

PART NUMBERS

PIN		719	720	
P	Pin Diameter	.375	.500	
*	E	Extension	1.250	1.500
	R1	Handle Extension	1.187	1.218
	R2	Handle Extension	.687	1.000
BODY				
L	Length	2.000	3.000	
H	Height	.656	.750	
W	Width	1.12	1.250	
T	Thickness	.125	.187	
H1	Hole Location	.375	.500	
H2	Hole Location	.437	.625	
H3	Hole Location	1.125	1.750	
*	D	Hole Diameter	.265	.328

MATERIAL

Designation	
C	Stainless
S	Steel

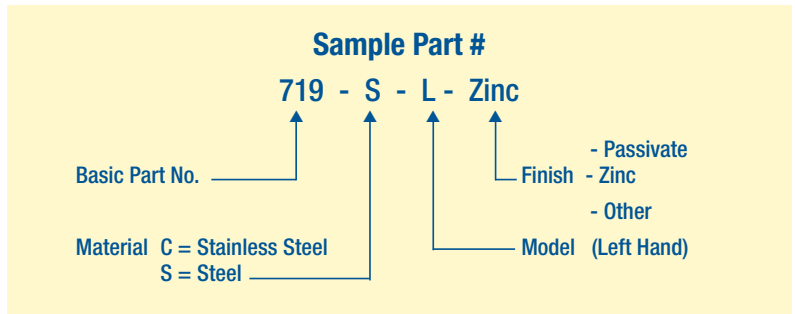
MODEL

R	Right Hand
L	Left Hand
U	Unassembled

FINISH

Most commercial finishes are available, including zinc plate on steel, passivate and electropolishing on stainless steel.

ORDERING INFORMATION



Special forms, offsets, hole sizes or welding projections are available to your specifications.

Extension retracts 1.35", so that it cannot fully retract into body.
* Designates dimensions that can be altered to meet your specifications.