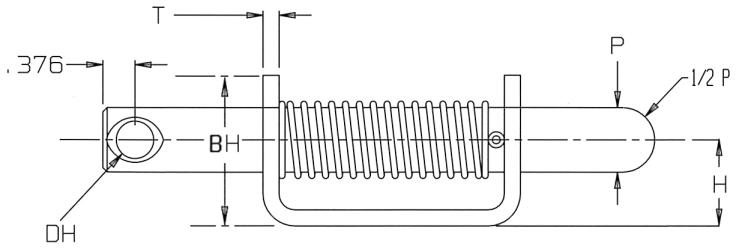
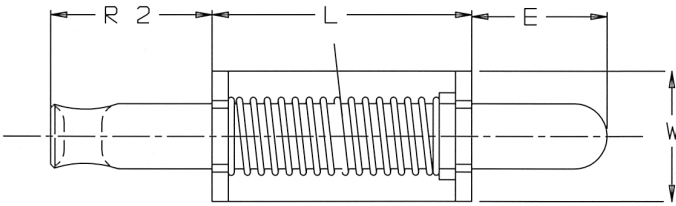
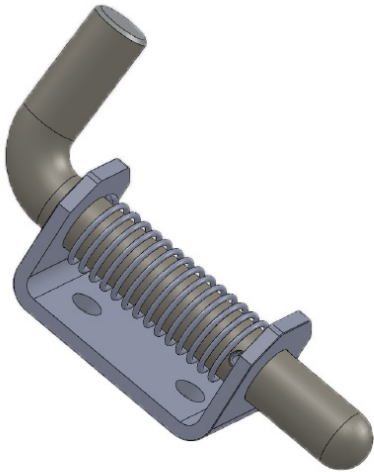


Heavy Duty Spring Latch Series 784



PIN PULL BACK DISTANCE = 1.3"
SPRING PRESSURE @ 1.00" = 8 LBS

784 with Handle:



PIN

P	Pin Diameter	.750
*	E Extension	1.56
R2	Handle Extension	1.87
DH	Handle Hole	.437

BODY

W	Width	1.50
BH	Body Height	1.75
L	Length	3.00
H	Height	1.00
T	Material Thickness	.187

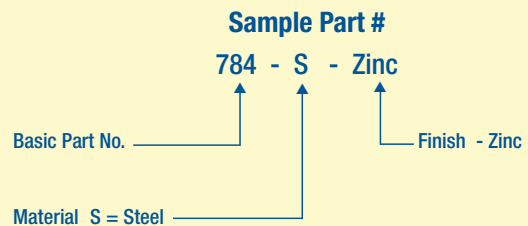
MATERIAL

Designation: S = Steel

FINISH

Available in plain steel, or with zinc plating.

ORDERING INFORMATION



*Please specify hole and handle requirements when placing order.

The 784 Series Spring Latch is the strongest, most heavy-duty latch in Paneloc's product line, with a 3/4" pin and closed knuckle for added durability and strength.

This part is available with a cable-ready pin or handle. The 784 is available with two holes, pem studs or in a no-hole version for welding. It is ideally suited for truck and trailer bodies and railcars.